

A0108

Double Rectangular Push Button
(RCT-2)



Technical Data

Features

Made of high quality technical plastic.

Robust assembly.

Large number of colours available.

Illumination with Led or T10 Lamp.

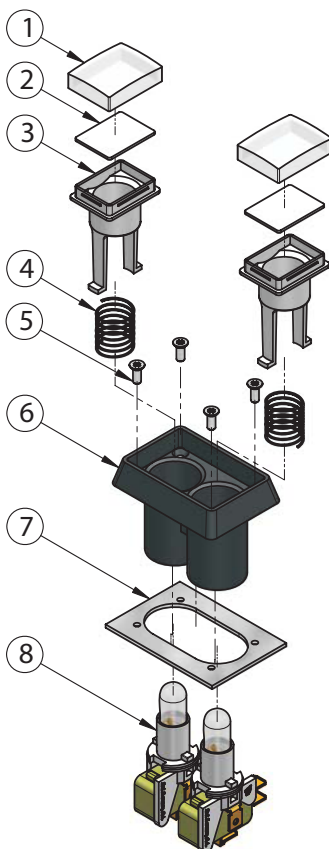
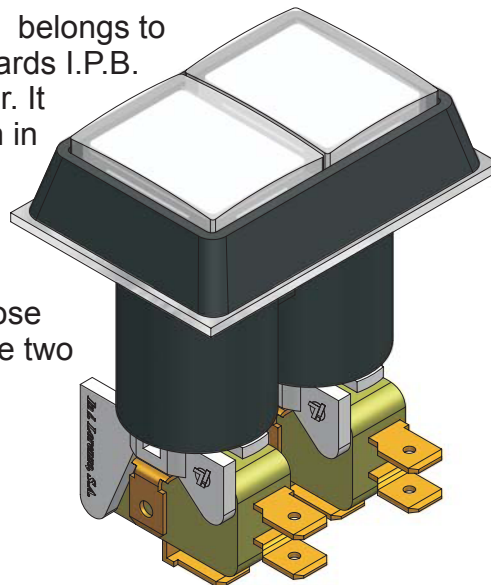
Microswitch variety.

Applications

Gaming machines where double rectangular, classic and robust Push Button are needed.

The I.P.B. A0108 RCT-2 belongs to Series IL Double Standards I.P.B. Is a Classic Rectangular. It provides a dual function in reduced space.

Their characteristics cause that this one product very used in those game machines that use two credit levels.



(5) I.P.B. BEZEL "RCT-2"		
# PART NUMBER	MATERIAL	COLOUR
C-01-01108017	A.B.S.	BLACK
C-01-01108031	PC (Clear)	RED
C-01-01108032		YELLOW
C-01-01108033		GREEN

(1) LENS CAP "RCT-2"		
# PART NUMBER	MATERIAL	COLOUR
C-01-50108001	PC (Clear)	RED
C-01-50108002		YELLOW
C-01-50108003		GREEN
C-01-50108004		AMBER
C-01-50108005		BLUE
C-01-50108006		TRANSPARENT

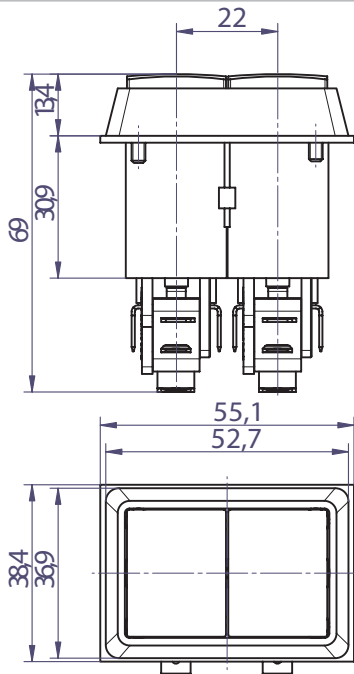
(2) PLASTIC LEGEND "RCT-2"		
# PART NUMBER	MATERIAL	COLOUR
C-01-51108001	PS	RED
C-01-51108002		YELLOW
C-01-51108003		GREEN
C-01-51108004		AMBER
C-01-51108005		BLUE
C-01-51108006		WHITE

A0108

Double Rectangular Push Button
(RCT-2)

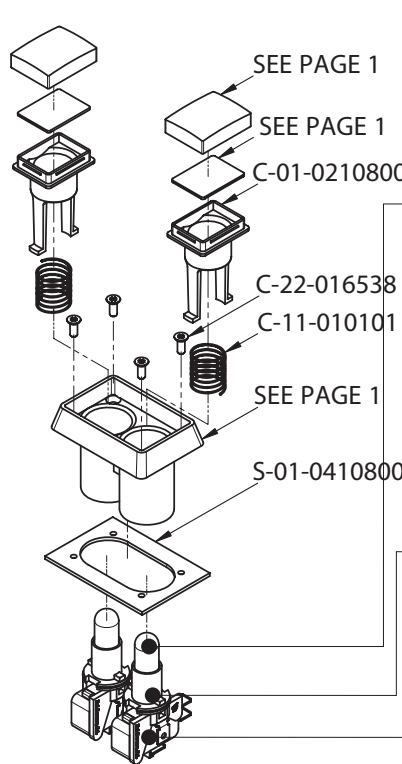
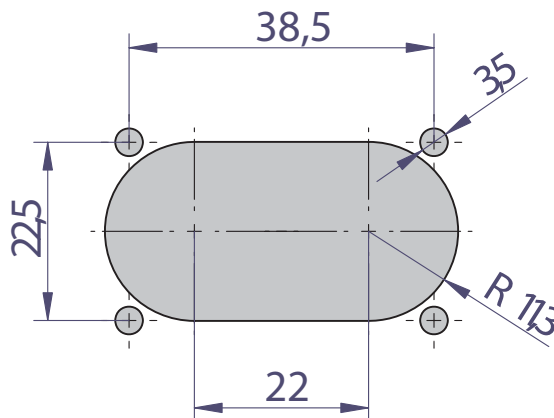


Technical Data



PANEL MOUNTING

Dimensions

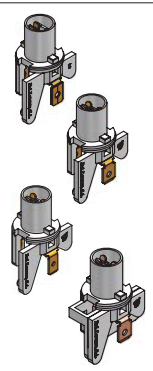


- Available Lamps:**
 T-10 12V 2,2W
 T-10 12V 1,5W
 T-10 12V 1,2W
 T-10 6V 2,0W
 T-10 6V 1,5W
 T-10 24V 2,0W
 T-10 28V 1,6W
 Also available triple "Led" C-08-P3312X

- Red LED of 8mm. (Large PCB)
 Red LED of 8mm. (Small PCB)
 Red LED of 3mm. (Large PCB)



- Lampholder:**
 Standard Lampholder for standard Microswitches. Fast-on 6,35x0,4
 Standard Lampholder for standard Microswitches. Fast-on 6,35x0,7
 Standard Lampholder for standard Microswitches. Fast-on 4,75x0,7
 Standard Lampholder for standard Microswitches. Fast-on 6,35x0,7 lobezno



- Available Microswitches:**
 SAIA 3t (6,35 mm)
 Honeywell 2t (6,35 mm)
 Cherry 3t (6,35 mm)
 Cherry 3t (4,75 mm)

Exploded view

NOTE: Some modifications or adaptations might be available under special request.

www.aus.at
Contact
 Tel: +43(0) 1 271 66 00
 e-mail: sales@aus.at
 Scheydgasse 48
 A-1210 Wien
 Austria

English Rev:1.0.0