



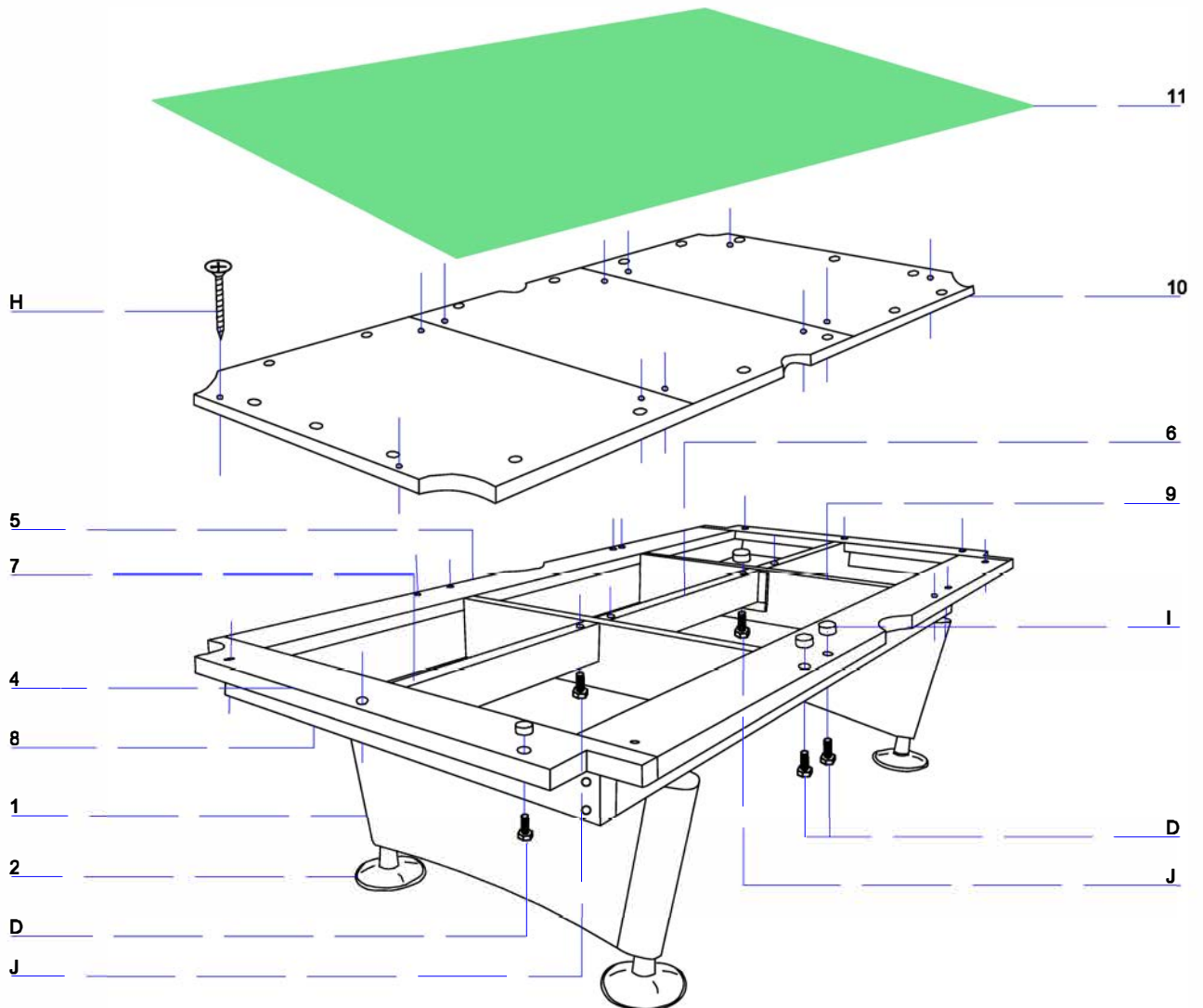
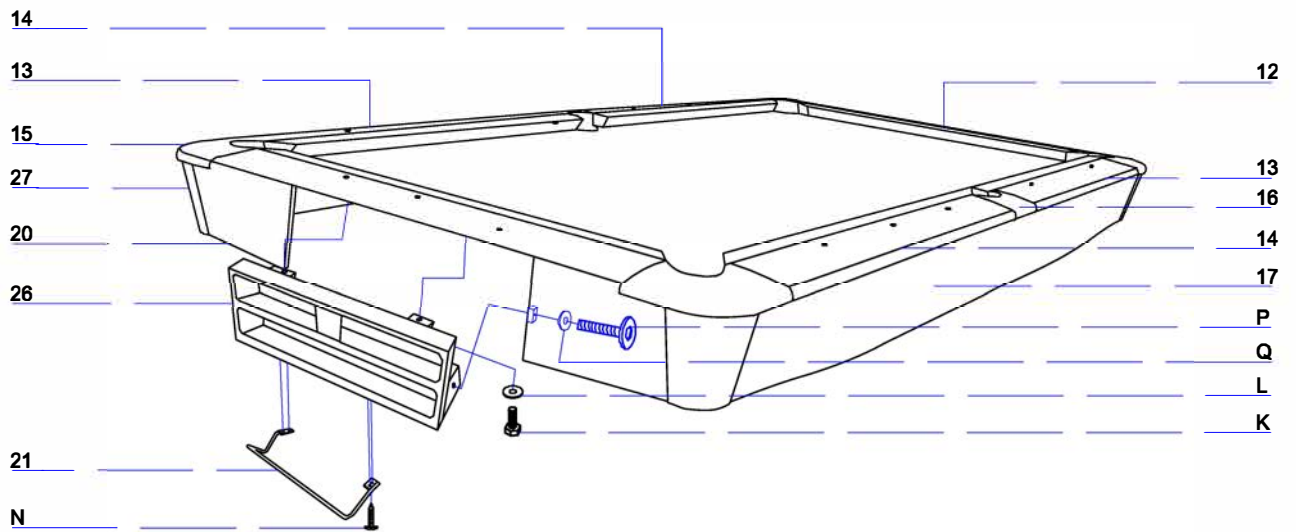
A.u.S. SPIELGERÄTE GMBH
SCHEYDGASSE 48, AT 1210 WIEN
☎ +43 (0) 1 271 66 00 65 FAX +43 (0) 1 271 66 00 75
🌐 www.aus.at ✉ verkauf@aus.at



Pool Table Assemble Manual



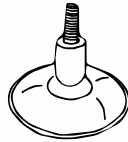
1.ASSEMBLE DRAWING



2.PRODUCT PARTS LIST



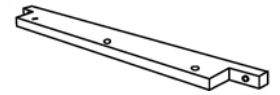
Leg
1



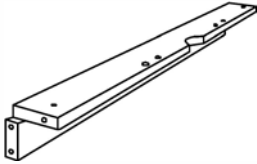
Leg leveler
2



Leg stretcher
3



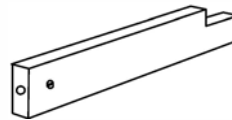
End cross beam(A)
4



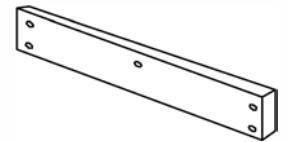
Main beam
5



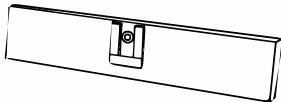
Cross beam(A)
6



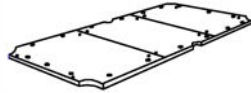
Cross beam(B)
7



End cross beam(B)
8



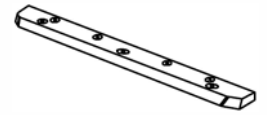
Mid cross beam
9



Slate
10



Cloth
11



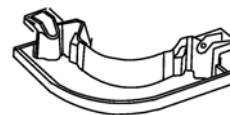
End rail
12



Side rail(A)
13



Side rail(B)
14



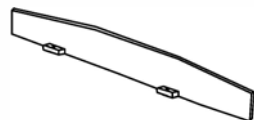
End rail corner
15



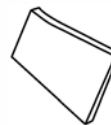
Side rail corner
16



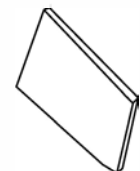
Side apron
17



End apron(A)
18



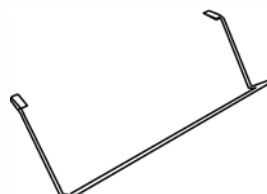
End apron(B1)
19



End apron(B2)
20



Triangle support
21



Cue support
22



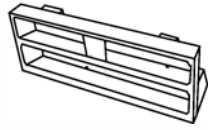
Basket A
23



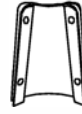
Basket B
24



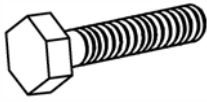
Basket C
25



Ball storage A
26



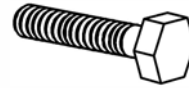
Apron corner
27



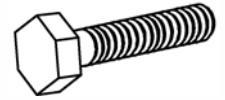
Bolt
A(3/8"X3")



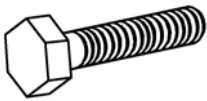
Washer
B(3/8"X35MM)



Bolt
C(3/8"X3-1/2")



Bolt
D(3/8"X2-1/2")



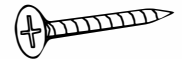
Bolt
E(3/8"X1-1/2")



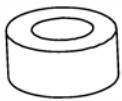
Nut
F(3/8")



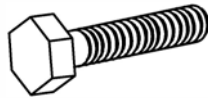
Leg angle steel
G



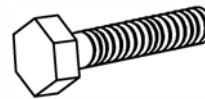
Screw
H(12#X2-1/2")



Slate leveler



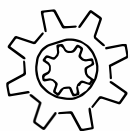
Bolt
J(3/8"X130MM)



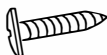
Bolt
K(3/8"X2")



Washer
L(3/8"X25MM)



Washer
M(3/8"X35MM)



Screw
N(T4X5/8")



Bolt
O(3/16"X5/8")



Bolt
P (1/4"X1-3/4")



Washer
Q(1/4"X19MM)



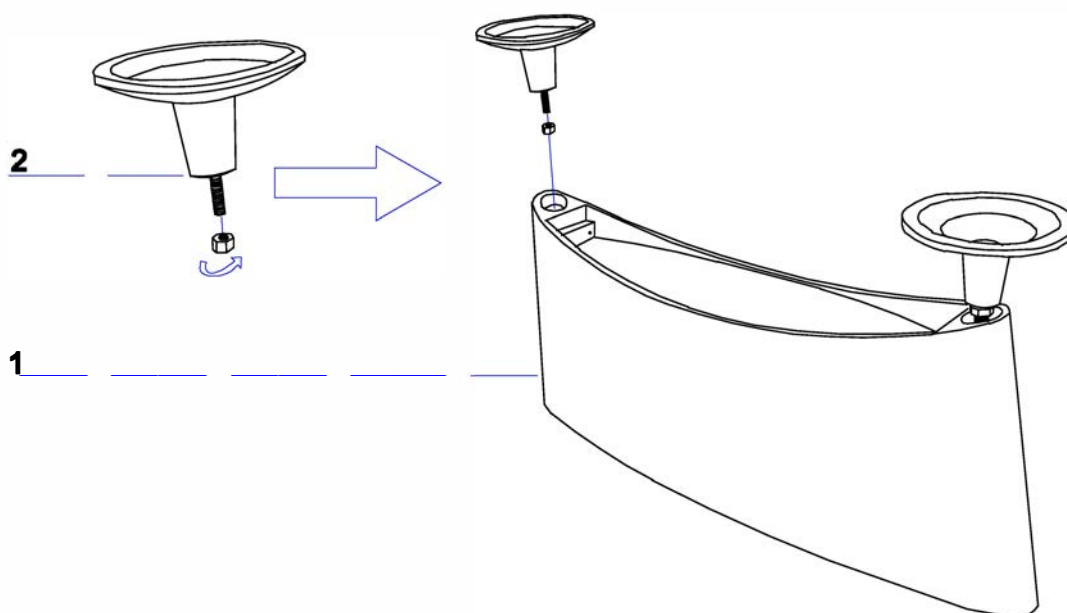
Butterfly nut pole bolt
R

Parts Number	Description	Q'ty
1	Leg	2
2	Leg leveler	4
3	Leg stretcher	1
4	End cross beam(A)	2
5	Main beam	2
6	Cross beam(A)	1
7	Cross beam(B)	2
8	End cross beam(B)	2
9	Mid cross beam	2
10	Slate	1
11	Cloth	1
12	End rail	2
13	Side rail(A)	2
14	Side rail(B)	2
15	End rail corner	4
16	Side rail corner	2
17	Side apron	2
18	End apron(A)	1
19	End apron(B1)	1
20	End apron(B2)	1
21	Triangle support	1
22	Cue support	1

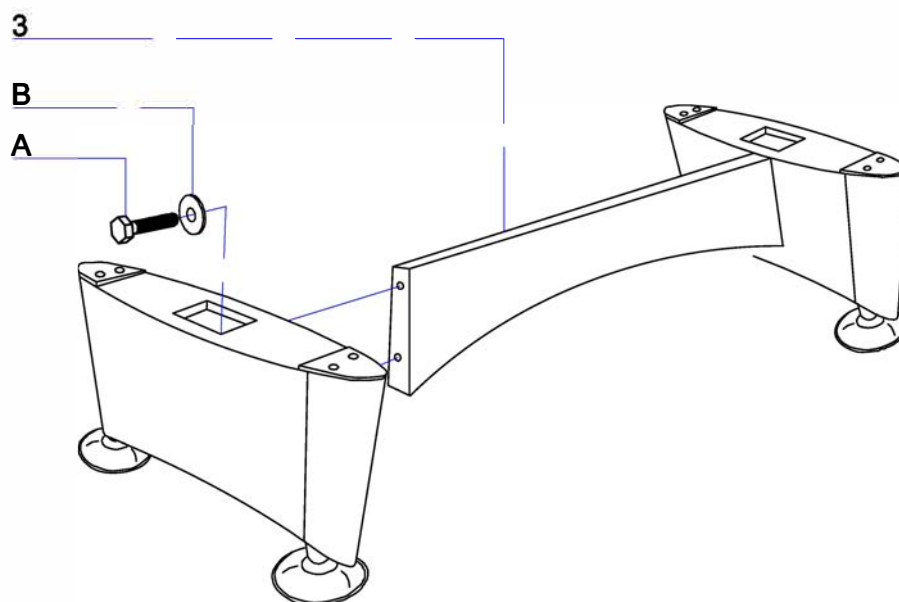
Parts Number	Description	Q'ty
23	Basket (A)	4
24	Basket (B)	2
25	Basket (C)	6
26	Ball storage(A)	1
27	Apron comer	4
A	Bolt(3/8"X3")	4
B	Washer(3/8"X35MM)	68
C	Bolt(3/8"X3-1/2")	20
D	Bolt(3/8"X2-1/2")	40
E	Bolt(3/8"X1-1/2")	20
F	Nut(3/8")	16
G	Leg angle steel	4
H	Screw(12#X2-1/2")	12
I	Slate leveler	18
J	Bolt(3/8"X130MM)	4
K	Bolt(3/8"X2")	18
L	Washer(3/8"X25MM)	20
M	Washer(3/8"X35MM)	18
N	Screw(T4X5/8")	8
O	Bolt(3/16"X5/8")	12
P	Bolt(1/4"X1-3/4")	2
Q	Washer(1/4"X19MM)	2
R	Butterfly luo pole bolt	16

3.MONTAGE-INSTRUCTIES

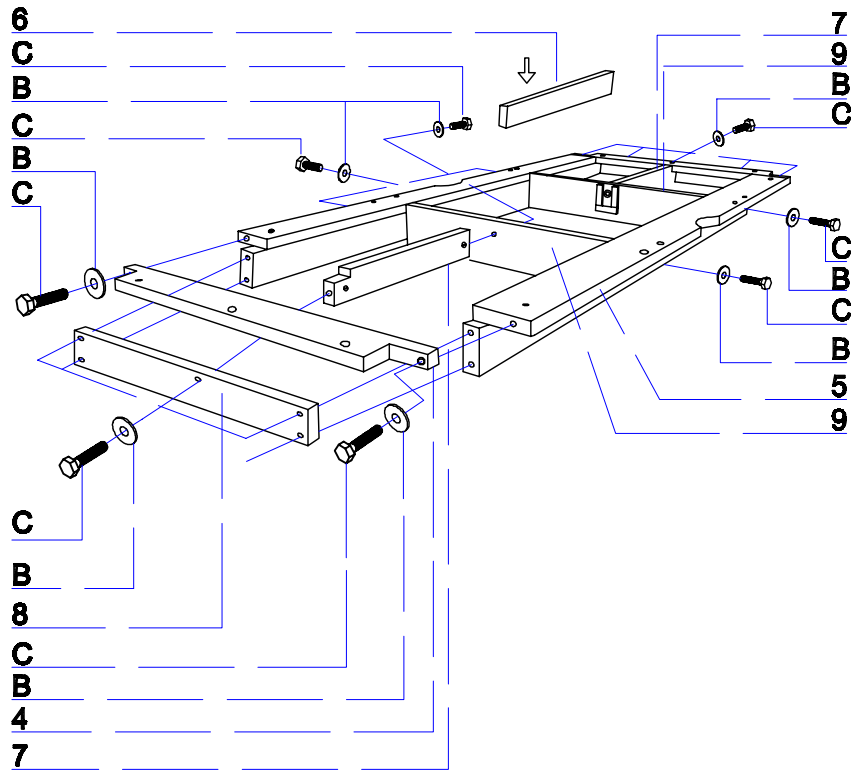
Step:1



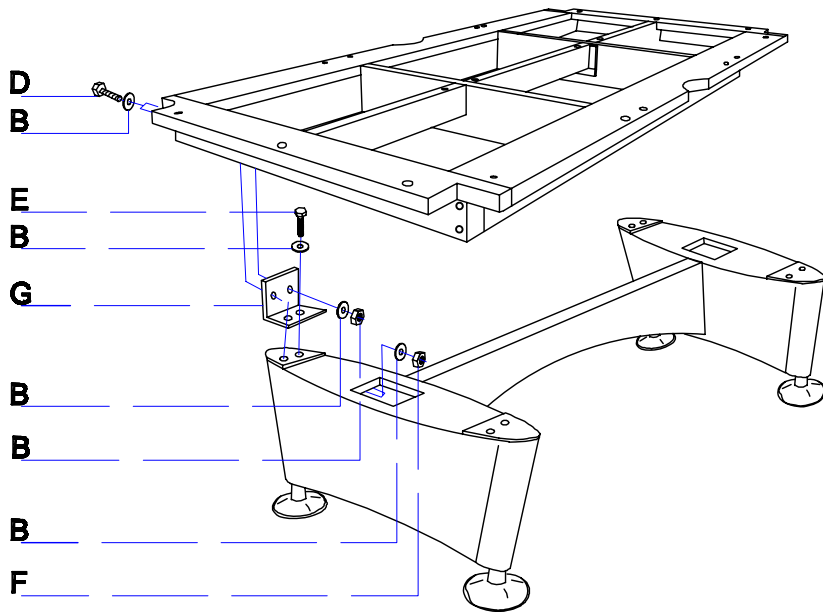
Step:2



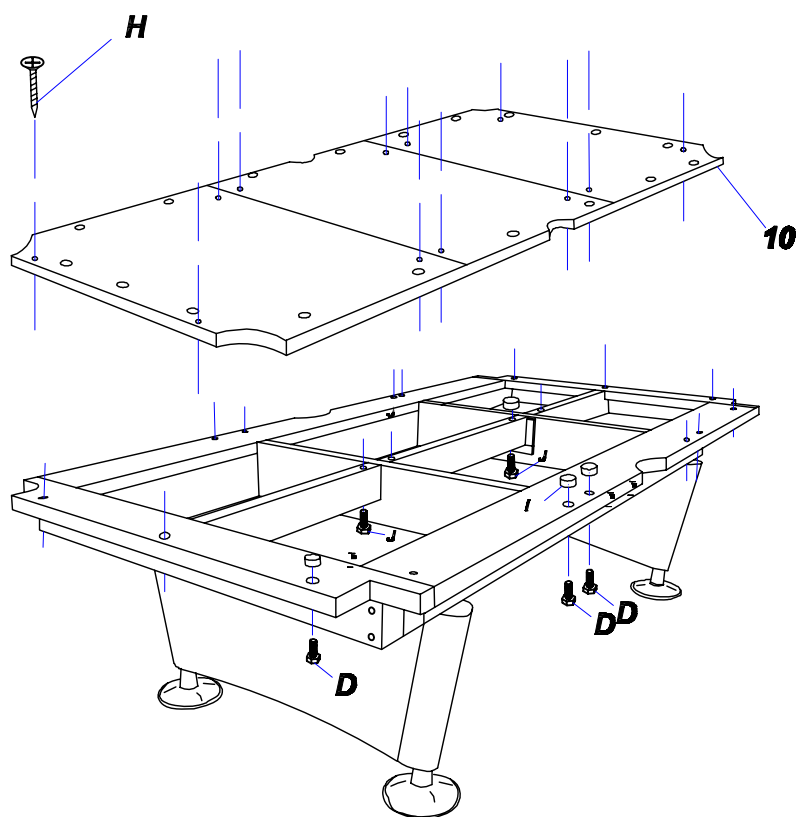
Step:3



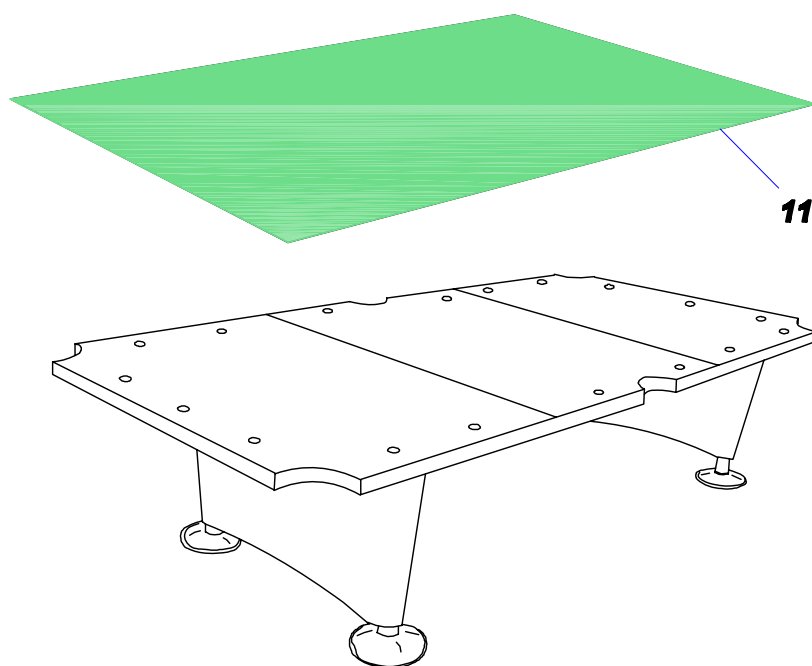
Step:4



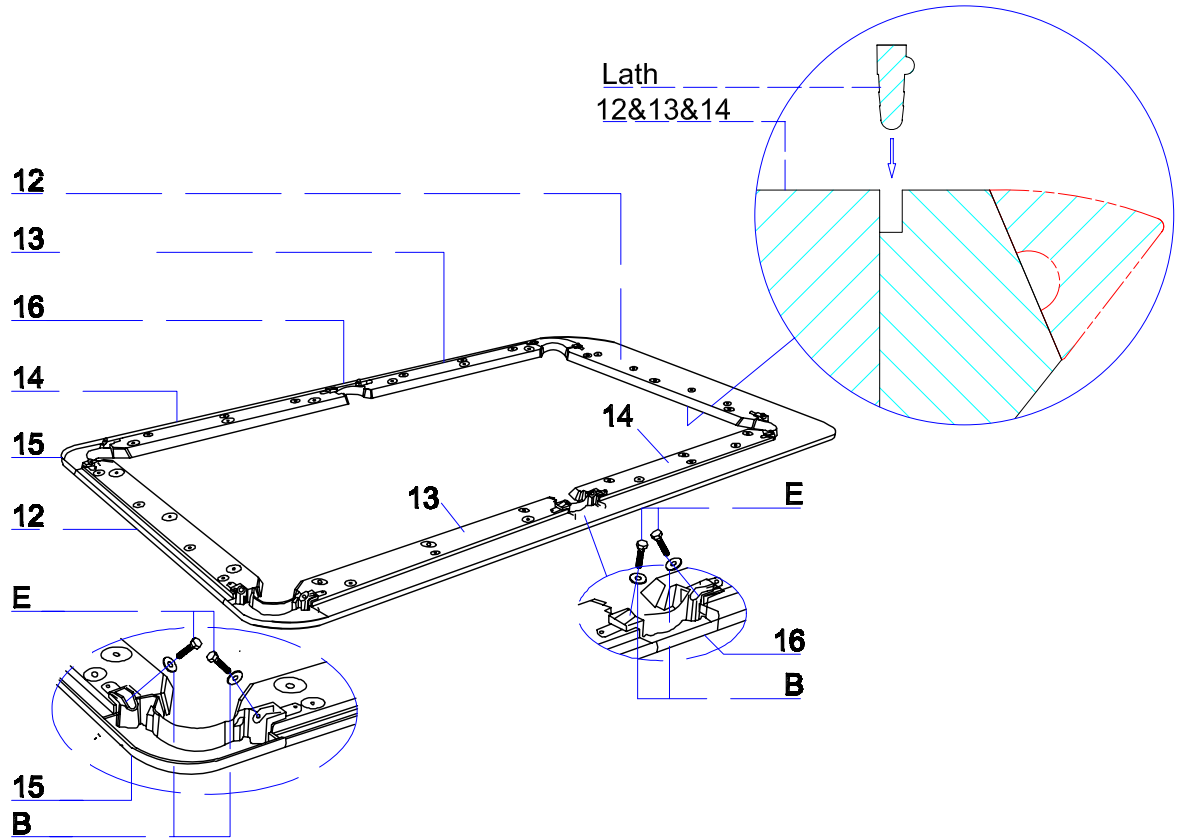
Step:5



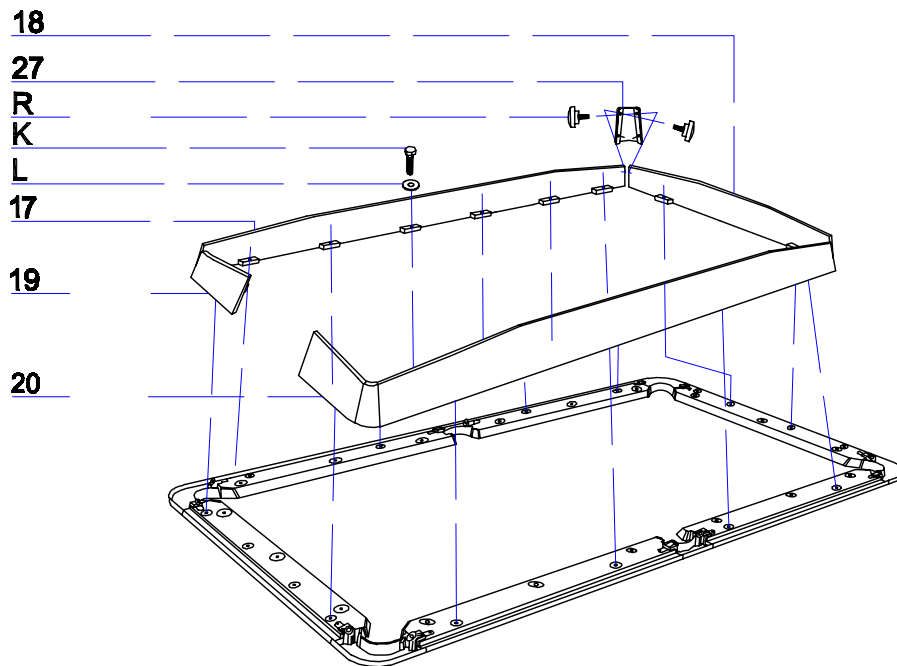
Step:6



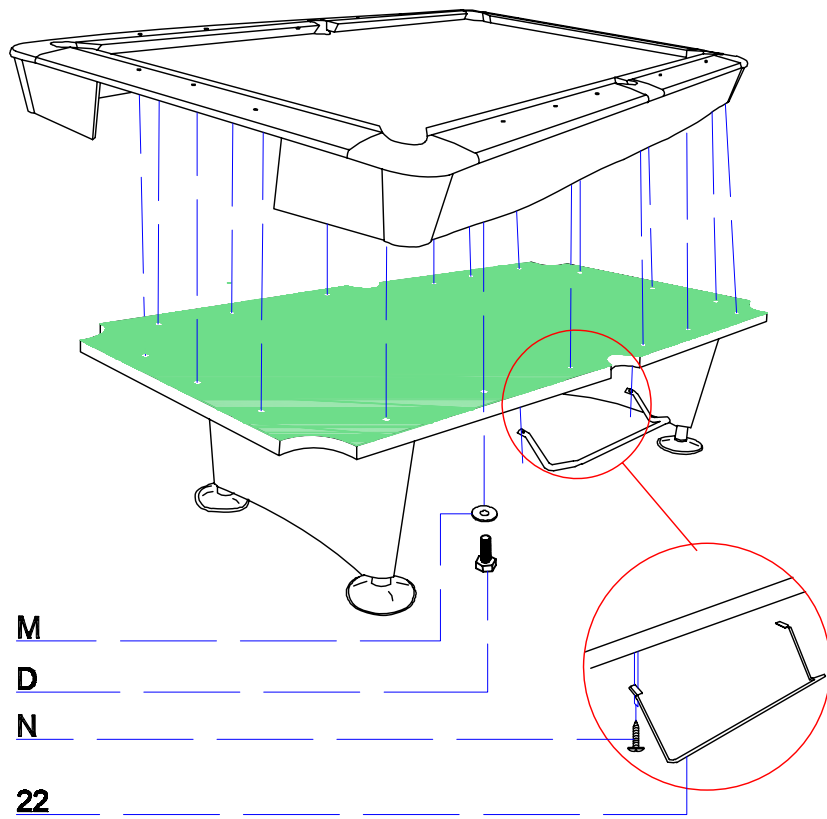
Step:7



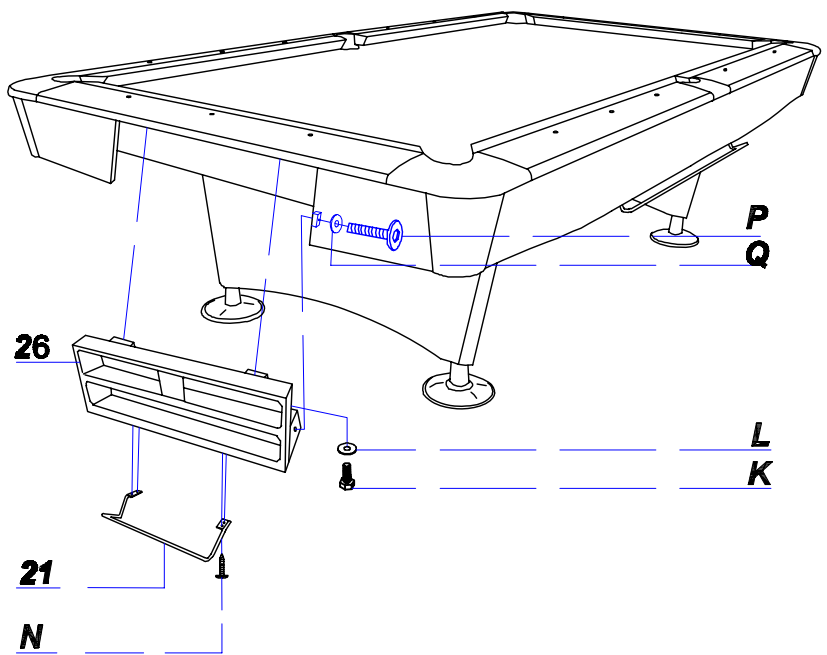
Step:8



Step: 9



Step: 10



Step:11

